

The image features a white circular logo in the top-left corner containing the Filtrowent brand name and tagline. The background is a photograph of industrial machinery, specifically large metal ducts with pneumatic slide dampers, set against a light-colored wall. A green diagonal graphic element is present in the bottom-left corner.

**Filtrowent**<sup>®</sup>  
The clean **air** factory

# PNEUMATIC SLIDE DAMPERS

# PNEUMATIC SLIDE DAMPERS

---

Pneumatic slide dampers are designed for instant and tight shut-off of air flow inside pipelines and they are often used in industrial dust collection systems. The use of pneumatic slide dampers enables efficient prevention of pressure loss in the extraction system and reduces energy consumption.

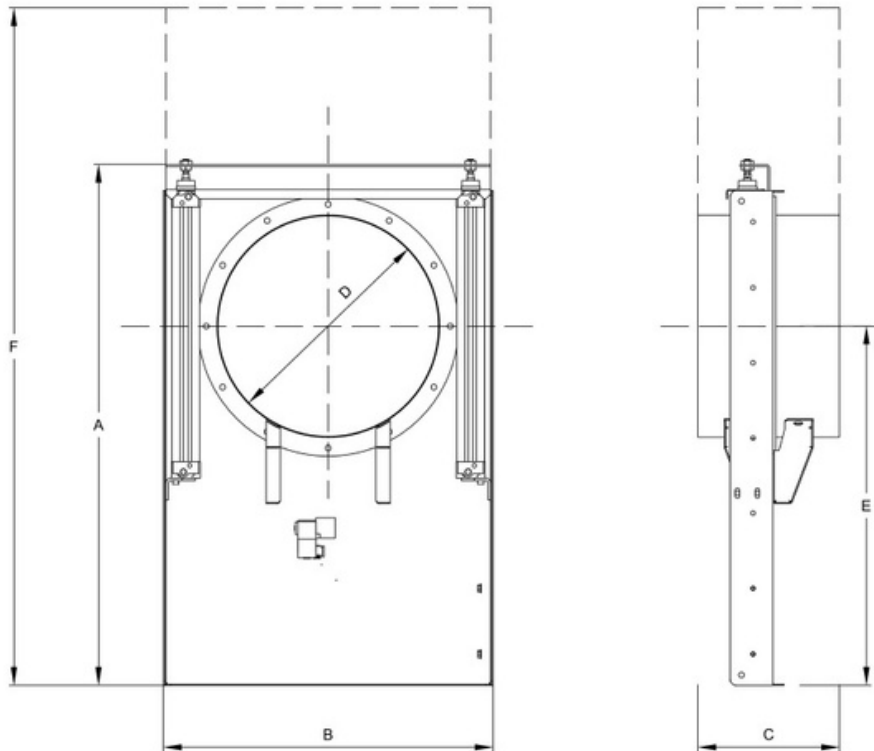
They are a great alternative for manual slide dampers especially in places with limited access, and they can be programmed so they open/close automatically in accordance with the work of the connected machines.

They are driven by pneumatic actuators connected with compressed air system.

- extra high strength construction made of 1 - 4 mm thick galvanized steel (depending on a part)
- tight and instant shut-off inside pipelines
- provided with top quality electrical equipment (actuators, solenoid valves) designed for explosion risk zones 21 and 22  
Marked: II 2/3D Ex IIIC T85stC Gb
- standard coil 24 DC, optionally 230 AC
- max temperature 60°C



# PNEUMATIC SLIDING DAMPERS



D [mm]	A [mm]	B [mm]	C [mm]	F [mm]	Body thickness [mm]	Plate thickness [mm]	Number of acutators
80	235	194	145	283	1,5	2	1
100	275	214	145	323	1,5	2	1
120	315	234	145	363	1,5	2	1
125	325	239	145	373	1,5	2	1
140	355	254	145	403	1,5	2	1
150	375	264	145	423	1,5	2	1
160	395	274	145	443	1,5	2	1
180	435	294	145	483	1,5	2	1
200	475	314	145	523	1,5	2	1
225	540	349	165	588	2	3	2
250	590	374	165	638	2	3	2
275	640	399	165	688	2	3	2
300	690	424	165	738	2	3	2
315	720	439	165	768	2	3	2
350	790	496	200	847	2	3	2
400	890	546	200	947	2	3	2
450	990	642	240	1062	3	4	2
500	1090	592	240	1162	3	4	2
550	1190	742	240	1262	3	4	2
600	1290	792	240	1362	3	4	2
630	1350	822	240	1422	3	4	2
650	1390	842	240	1462	3	4	2
700	1490	892	240	1562	3	4	2
750	1590	942	240	1662	3	4	2
800	1690	992		1762	3	4	2

## COMPONENTS FOR DEDUSTING SYSTEMS

- silos for bulk solids
- cyclones
- pneumatic diverters
- screw conveyors
- rotary valves
- ATEX protective systems
- grinding tables and extraction walls
- extraction fans