

 **Filtrowent**[®]
The clean **air** factory



CYCLONES

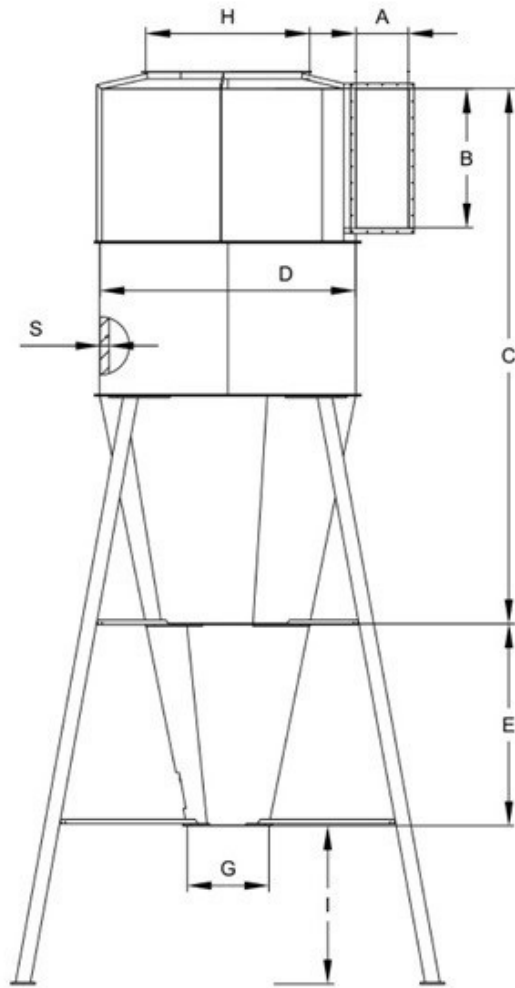
FD TYPE CYCLONES

FD type cyclones are designed for separation of dirt particles in transport and dust extraction systems. They are used as independent dedusting devices or as initial separation (before dust collectors). They are also used in welding fume extraction as spark arrestors. Depending on the size, FD cyclones consist of two, three or four parts that are bolted together

- made of 2 mm and 3 mm thick carbon steel
- equipped with inspection door located on the cone
- standard coating colour RAL 5015 (blue) other colours available upon request

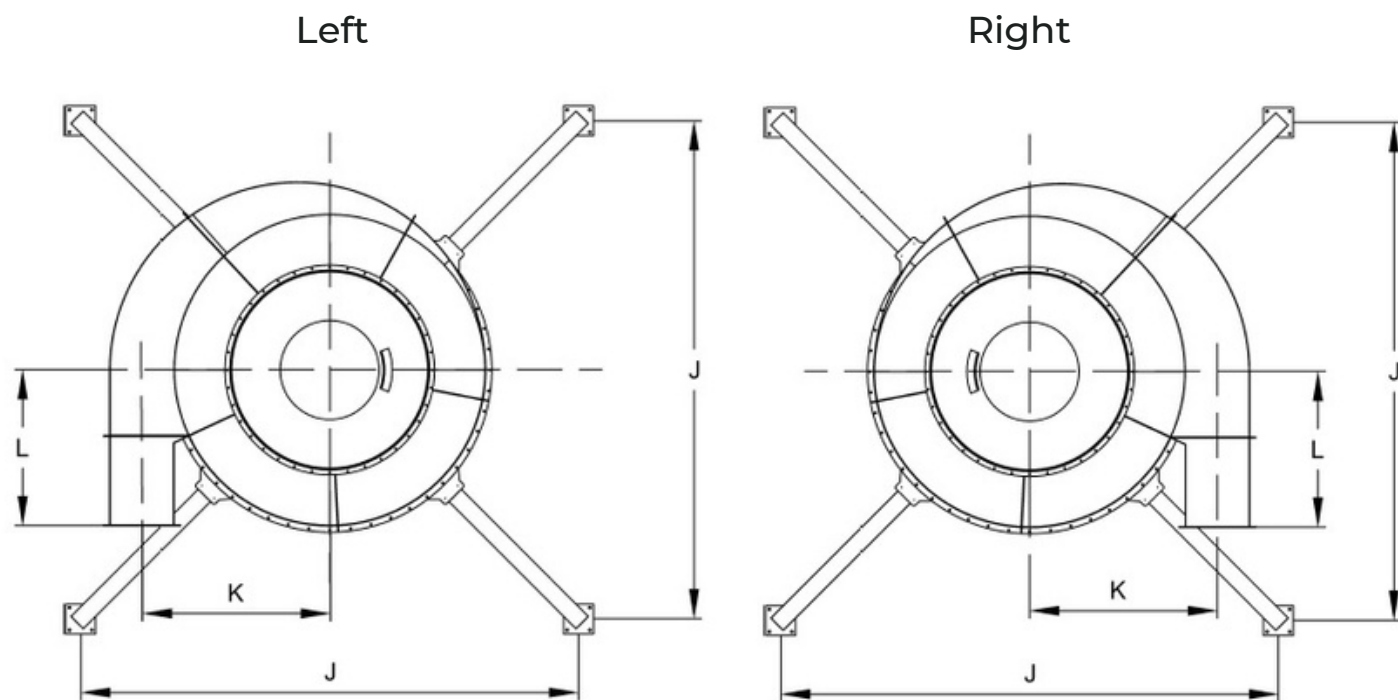


FD TYPE CYCLONES



Model/ D [mm]	Efficiency [m ³ /h]	AxB [mm]	C+E [mm]	G [mm]	H [mm]	I [mm]
FD-500	1000 -2500*-3000	285x126	1800	d200	d250	1000
FD-700	3000-6500*-8000	444x206	2520	d315	d400	1000
FD-1000	5500-7500*-9000	485x216	3648	d400	d550	1000
FD-1150	7000-9500*-12000	550x240	4295	d450	d630	1000
FD-1300	9500-13000*-16500	600x300	4975	d450	d700	1000
FD-1600	16500-23000*-28500	902x357	5650	d500	d900	1000
FD-1800	21000-28000*-33000	1050x380	6265	d550	d1000	1000
FD-2000	27000-36000*-45000	1247x401	6700	d750	d1200	1000
FD-2500	37500-50000*-62500	1360x510	7375	d800	d1600	1550

FD TYPE CYCLONES



Model /cyclone diameter [mm]	J [mm]	K [mm]	L [mm]
FD-500	1200	313	250
FD-700	1530	450	350
FD-1000	1960	608	500
FD-1150	2305	695	575
FD-1300	2305	800	650
FD-1600	2690	978	800
FD-1800	2790	1090	900
FD-2000	3393	1200	1000
FD-2500	upon request	upon request	upon request

COMPONENTS FOR DEDUSTING SYSTEMS

- silos for bulk solids
- pneumatic sliding dampers
- pneumatic diverters
- screw conveyors
- rotary valves
- ATEX protective systems
- grinding tables and extraction walls
- extraction fans